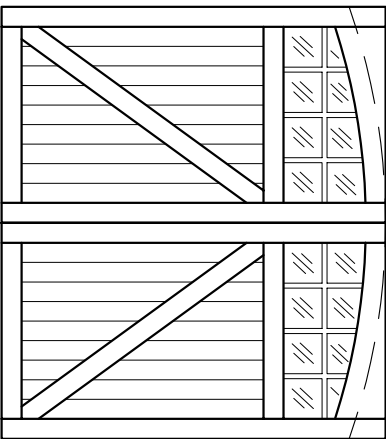
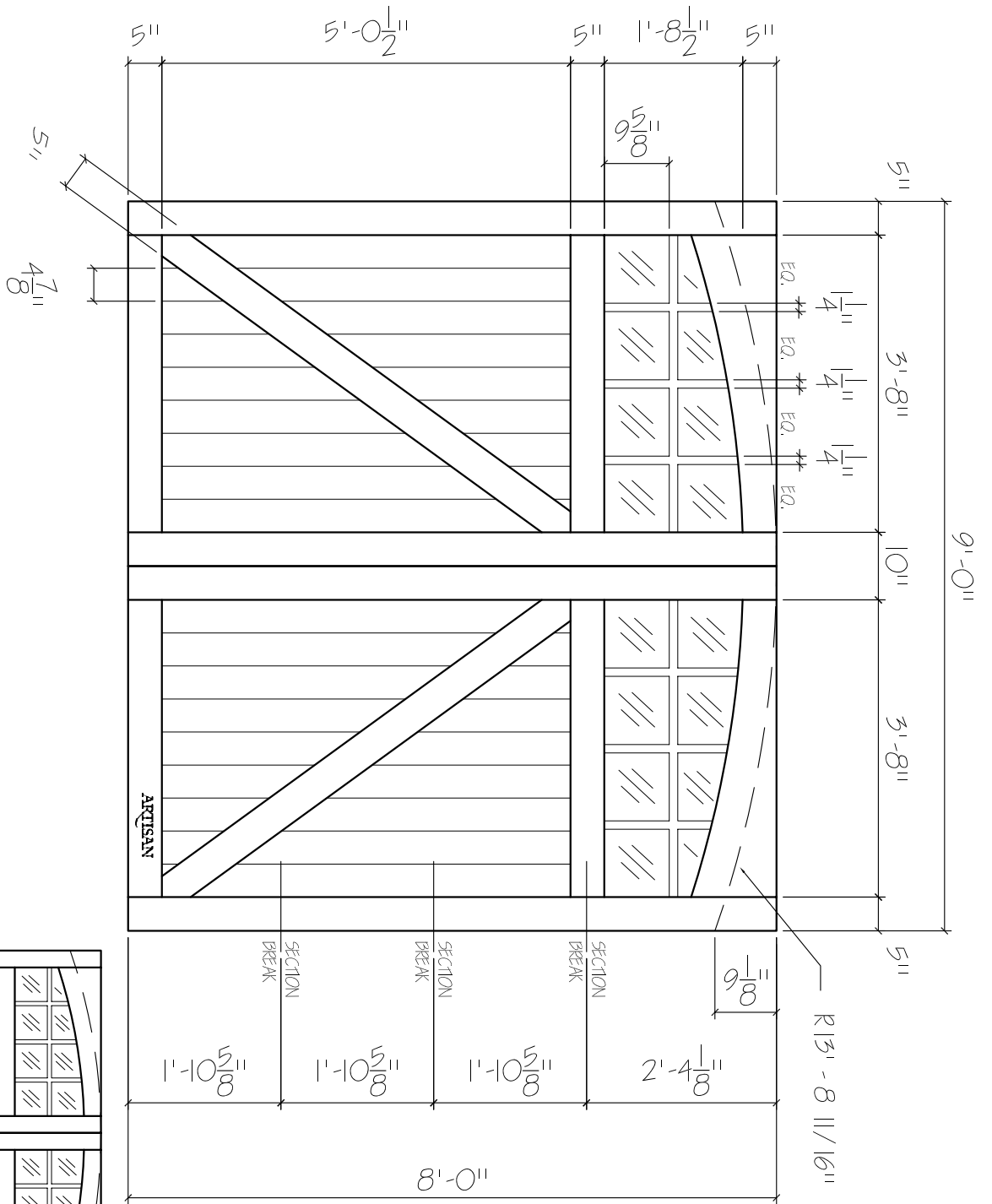


NP-5W-9x8-16L-AT-ZB-2VP
 FRONT ELEVATION, NEWPORT
 SCALE: 1/2" = 1'-0"



SCALE: 1/4" = 1'-0"

01

ARTISAN
 CUSTOM DOORWORKS

975 Hemlock Rd., Morgantown, PA. 19543
 T - 888-913-9170 F - 888-913-9179

| | |
|--------------|------------|
| Dealer: | Drawing #: |
| Job Name: | Date: |
| Other: | Drawn By: |
| Approved By: | Ordered: |