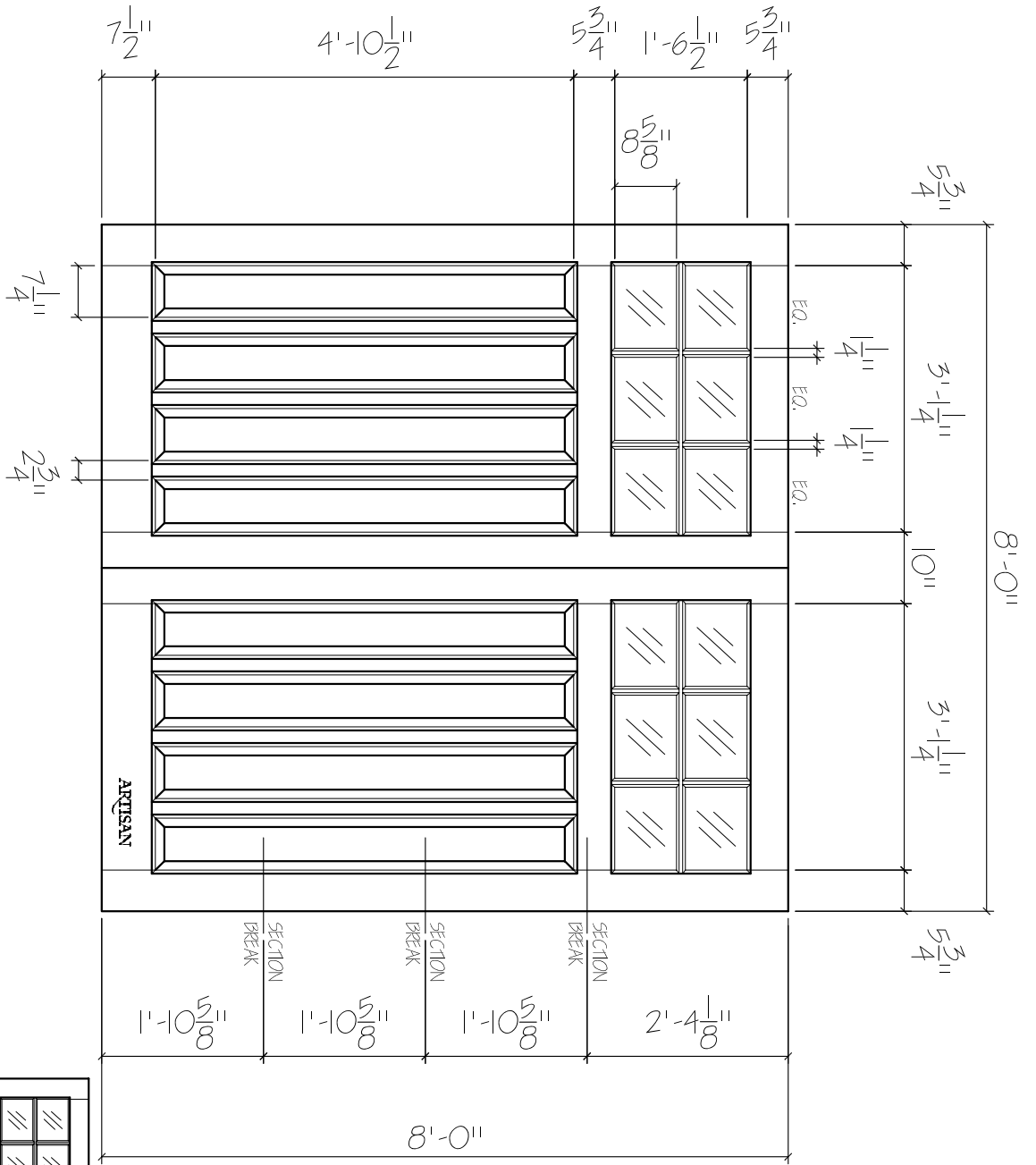


SY-SW-8x8-12L-8RP
 FRONT ELEVATION, SYMPHONY
 SCALE: 1/2" = 1'-0"



ARTISAN

SECTION
BREAK

1'-10 5/8"

SECTION
BREAK

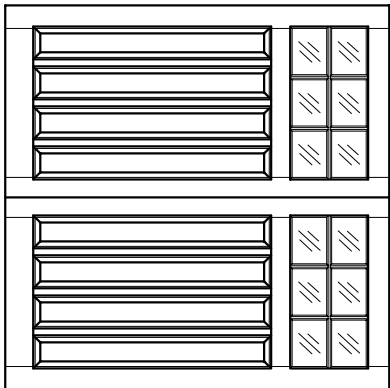
1'-10 5/8"

SECTION
BREAK

1'-10 5/8"

2'-4 1/8"

8'-0"



SCALE: 1/4" = 1'-0"

01

ARTISAN
 CUSTOM DOORWORKS

975 Hemlock Rd., Morgantown, PA. 19543
 T - 888-913-9170 F - 888-913-9179

Dealer:	Drawing #:
Job Name:	Date :
Other:	Drawn By:
Approved By:	Ordered: