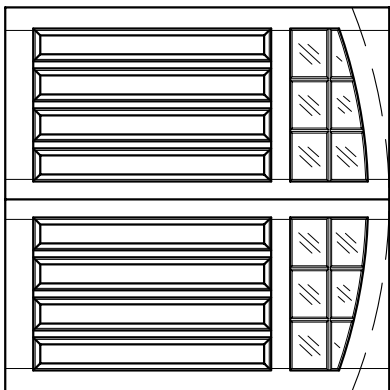


SY-SW-8x8-12L-AT-8PP
 FRONT ELEVATION, SYMPHONY
 SCALE: 1/2" = 1'-0"



SCALE: 1/4" = 1'-0"

ARTISAN
 CUSTOM DOORWORKS

975 Hemlock Rd., Morgantown, PA. 19543
 T - 888-913-9170 F - 888-913-9179

Dealer:	Drawing #:
Job Name:	Date :
Other:	Drawn By:
Approved By:	Ordered:

01