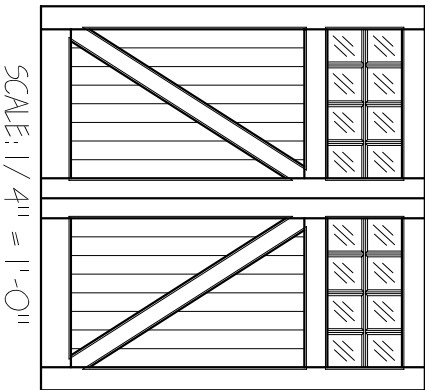
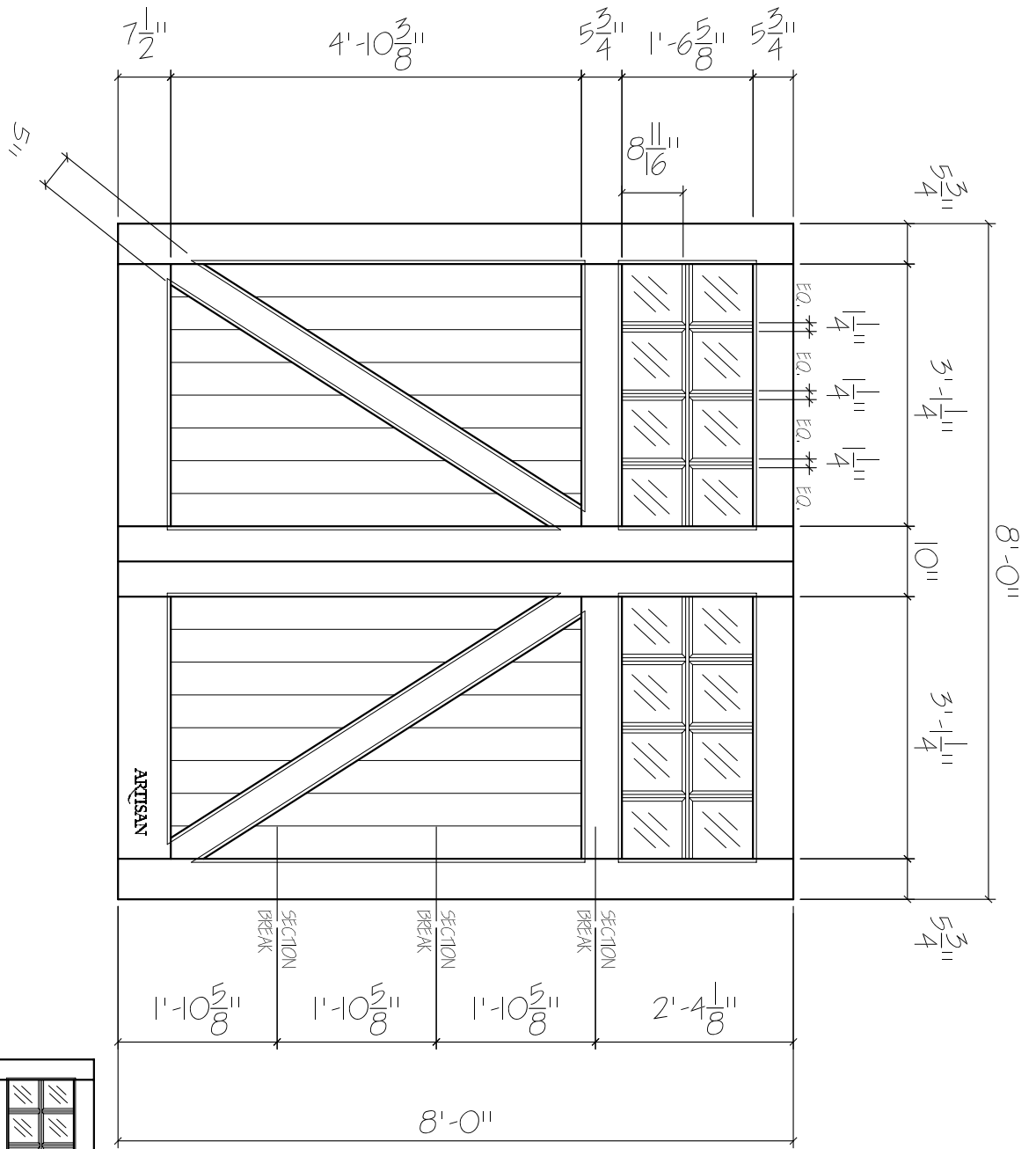


5Y-8x8-16L-ZB-2P
 FRONT ELEVATION, SYMPHONY
 SCALE: 1/2" = 1'-0"



01	ARTISAN CUSTOM DOORWORKS	Dealer:	Drawing #:
	975 Hemlock Rd., Morgantown, PA. 19543	Job Name:	Date :
	T - 888-913-9170 F - 888-913-9179	Other:	Drawn By:
		Approved By:	Ordered: