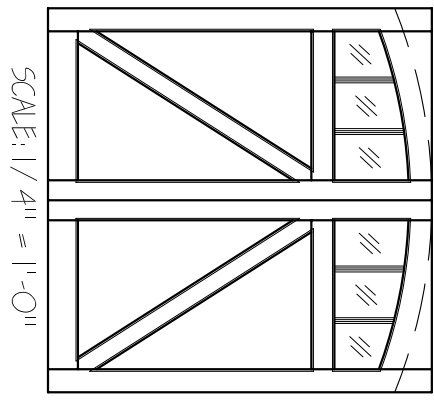


5Y-8X8-6L-AT-ZB-2FP
 FRONT ELEVATION, SYMPHONY
 SCALE: 1/2" = 1'-0"



SCALE: 1/4" = 1'-0"

01	ARTISAN CUSTOM DOORWORKS	Dealer:	Drawing #:
	975 Hemlock Rd., Morgantown, PA. 19543	Job Name:	Date:
	T - 888-913-9170 F - 888-913-9179	Other:	Drawn By:
		Approved By:	Ordered: