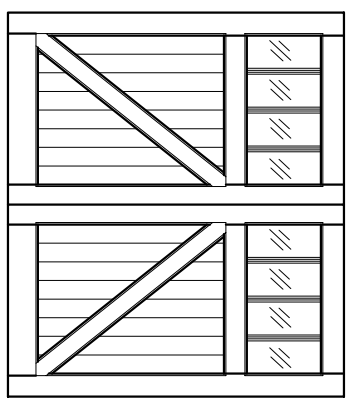
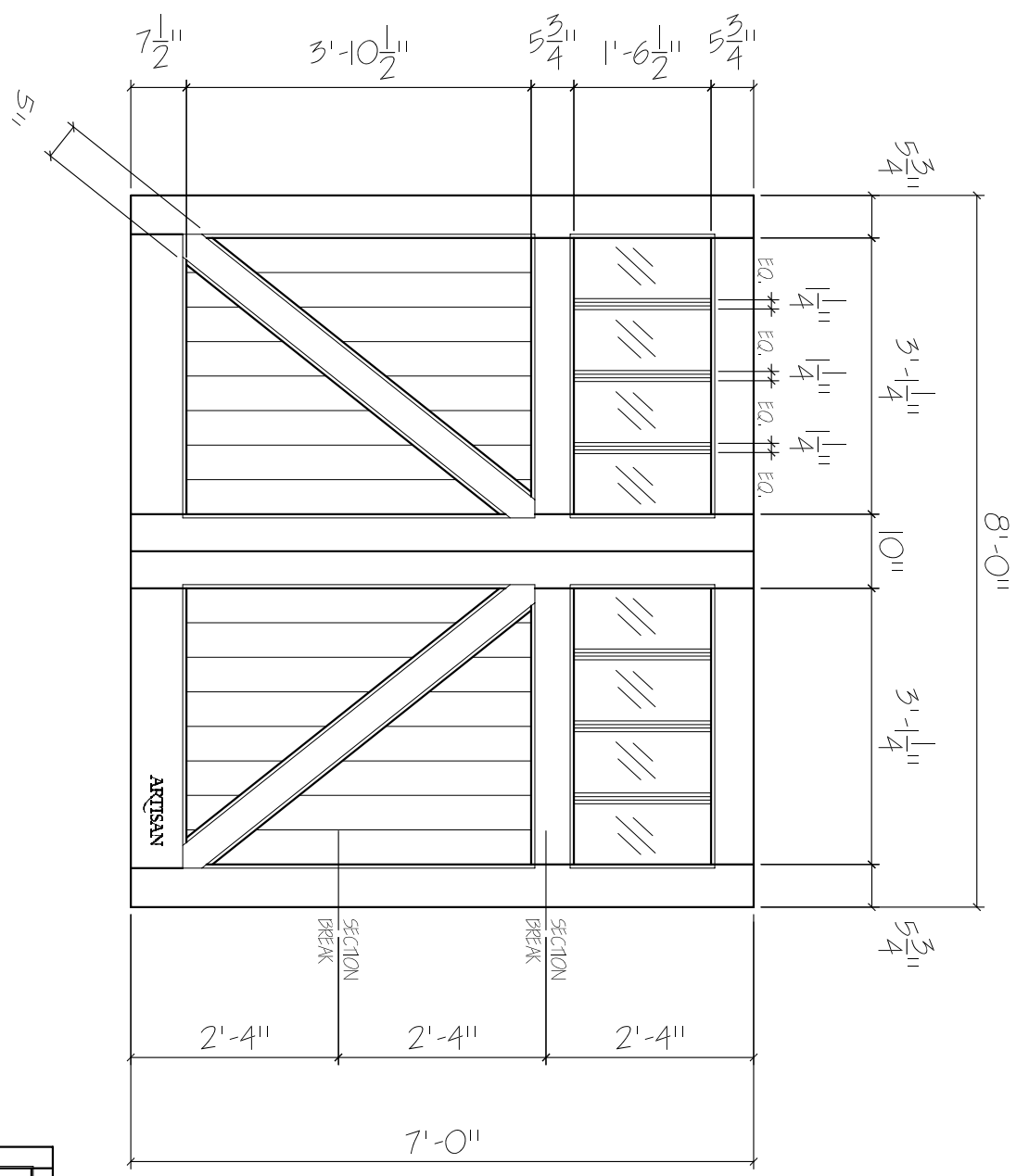


SY-SW-8x7-8L-ZB-2P  
 FRONT ELEVATION, SYMPHONY  
 SCALE: 1/2" = 1'-0"



SCALE: 1/4" = 1'-0"

01	ARTISAN	Dealer:		Drawing #:		
	CUSTOM DOORWORKS	Job Name:		Date:		
	975 Hemlock Rd., Morgantown, PA. 19543		Other:		Drawn By:	
	T - 888-913-9170 F - 888-913-9179		Approved By:		Ordered:	