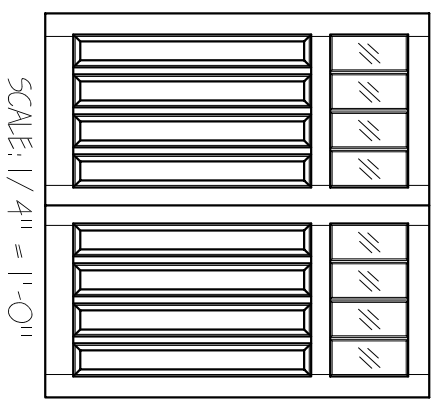
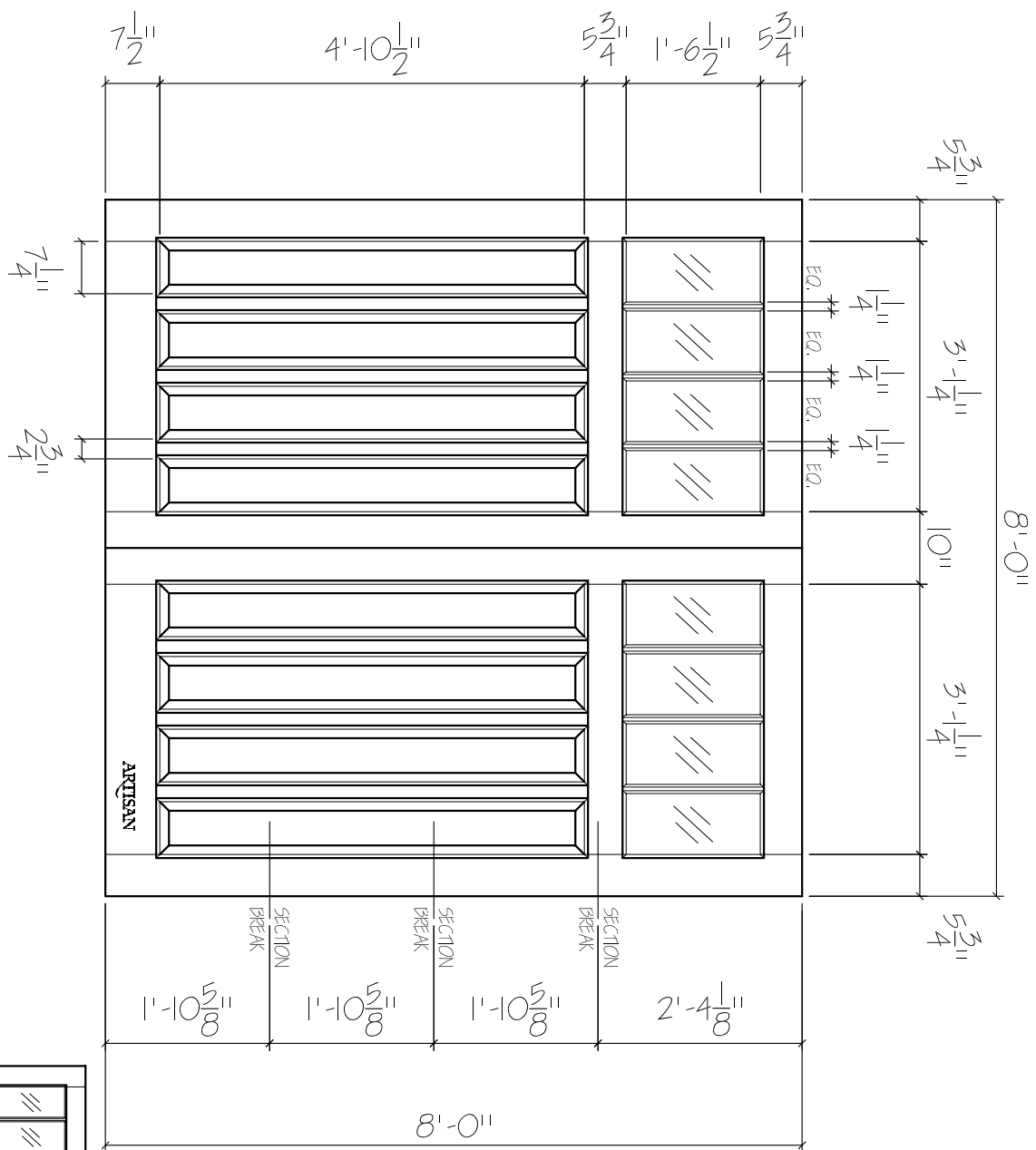


SY-SW-8x8-8L-8RP
 FRONT ELEVATION, SYMPHONY
 SCALE: 1/2" = 1'-0"



01

ARTISAN
 CUSTOM DOORWORKS

975 Hemlock Rd., Morgantown, PA. 19543
 T - 888-913-9170 F - 888-913-9179

Dealer:	Drawing #:
Job Name:	Date :
Other:	Drawn By:
Approved By:	Ordered: