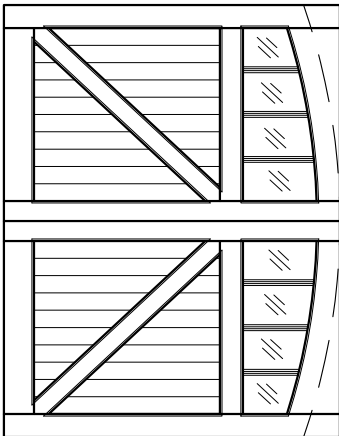
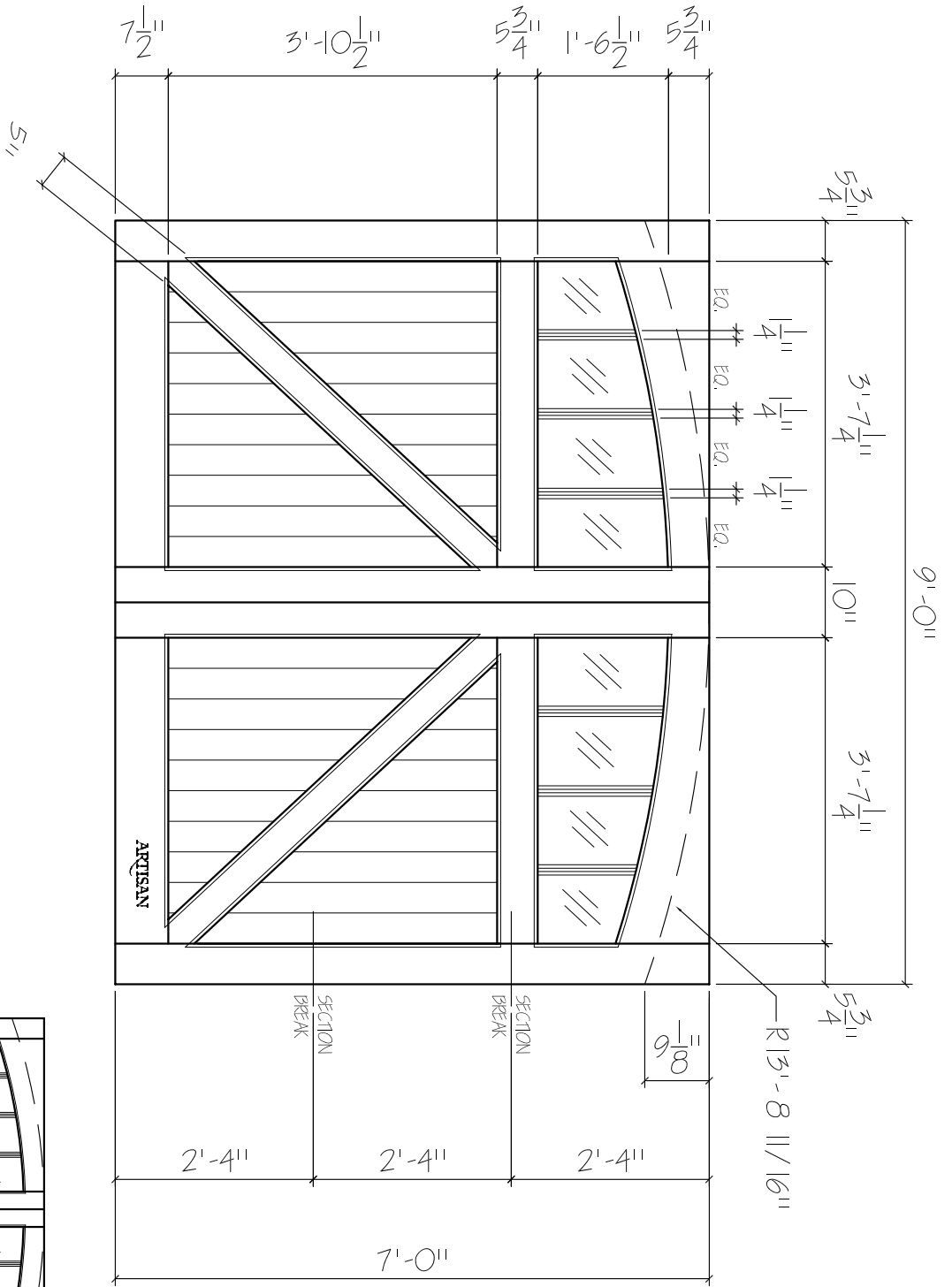


SY-SW-9x7-8L-AT-ZB-2P  
 FRONT ELEVATION, SYMPHONY  
 SCALE: 1/2" = 1'-0"



SCALE: 1/4" = 1'-0"

01

**ARTISAN**  
 CUSTOM DOORWORKS

975 Hemlock Rd., Morgantown, PA. 19543  
 T - 888-913-9170 F - 888-913-9179

Dealer:	Drawing #:
Job Name:	Date:
Other:	Drawn By:
Approved By:	Ordered: